



# Blu'Hox<sup>®</sup>

## User Guide



Original User Guide



## TABLE OF CONTENTS

TABLE OF CONTENTS	
DISCLAIMER	
GENERAL INFORMATION	
HOUSE CHART .....	1
MAINTENANCE .....	5
ROTOR ADJUSTMENT .....	5
TROUBLE SHOOTING GUIDE .....	6

## Disclaimer

The original, authoritative version of this manual is the English version produced by ROXELL BV. Subsequent changes to any manual made by any third party have not been reviewed nor authenticated by Roxell. Such changes may include, but are not limited to, translation into languages other than English, and additions to or deletions from the original content. Roxell disclaims responsibility for any and all damages, injuries, warranty claims and/or any other claims associated with such changes, in as much as such changes result in content that is different from the authoritative Roxell-published English version of the manual. For current product installation and operation information, please contact the customer service and/or technical service departments of Roxell. Should you observe any questionable content in any manual, please notify Roxell immediately in writing to: ROXELL BV - Industrielaan 13, 9990 Maldegem - Belgium.

# General information

**!** **IMPORTANT:** These instructions must be read, understood and all points observed by the user, the responsible and operating personnel.

## Obey the legal regulations and the applicable rules

This concerns, among other things, the European regulations and directives transposed into national legislation and/or the laws, safety and accident prevention regulations that apply in the user's country.

During assembly, operation and maintenance of the installation the legal regulations concerned and the applicable technical rules must be obeyed.

## Intended use

The installation has been designed solely for intensive livestock use and has been developed according to the applicable rules of good workmanship. Extra loading of the product is therefore prohibited. Any other use is considered to be improper use. The manufacturer is not responsible for damage resulting therefrom. The user bears sole responsibility. The manufacturer can determine from the system data whether the product was used in accordance with the specified use.

## Not-intended use

All use different than described in [Intended Use](#) is at the responsibility of the end user.

## Liability

The (extended) warranty will not apply if any of the following has occurred: failure by the customer to inspect the delivered goods and report visible defects within 8 days of delivery with respect to the products, improper handling, transportation, modification or repair; accidents, defective or improper use; improper or defective assembly, installation, connection or maintenance (having regard to Roxell's most current assembly, installation, connection and maintenance manuals); improper modifications or manipulations of the operating system, hardware or any other software of the product by the customer; force majeure; negligence, lack of supervision or of maintenance on the part of customer; normal wear and tear; use of cleansing agents and disinfectants that are excluded in Roxell's most current use and maintenance manuals; use of cleansing agents and disinfectants in violation with the instructions received from the suppliers; or use of the products in an ATEX- surrounding.

The (extended) warranty shall not apply in the event of a defect caused either by materials or accessories supplied by or services rendered by the customer; or by an intervention by a person or entity which is not authorized or qualified for carrying out such intervention. Furthermore, the (extended) warranty will only apply if the products are used in livestock houses and if all parts or components of the products are supplied by Roxell.

Roxell will not be liable for any damages caused due to improper or defective use, assembly, installation, connection or maintenance of the products. In this respect, the customer expressly acknowledges that (i) all use, assembly, installation, connection or maintenance must be done in accordance with Roxell's most current assembly, installation, connection and maintenance manuals and (ii) the electrical installation on which the products must be connected must be done in accordance with applicable local legislation on electrical installations. Furthermore, the products must be tested both mechanically and electrically by the customer in accordance with state of the art techniques and applicable local legislation.

## Personnel qualifications

### User

The person who uses a function or operation of a product for their work or who works on the product. The user must be able to read the instructions for use and fully understand them. The user has knowledge of the functioning and construction of the installation.

## Technically trained person

An expert who can assemble and maintain the installation (**mechanically/electrically**), and resolve malfunctions. On the basis of his/her technical training and experience, he/she has sufficient knowledge to be able to assess activities, recognize possible dangers and rectify dangerous situations.

## Storage

Put all parts to be assembled in a room or at a location where the not yet assembled components are protected against weather influences.

## Transport

Depending on the size of the parts and according to local circumstances and local legislation, the parts of the machine have to be transported with a forklift.

The forklift must be operated by a qualified person and in accordance with the rules of good workmanship. When lifting the load, always check if the center of gravity of the load is stable.

## Dismantling

Dismantle the installation and its components in accordance with the environmental legislation of the country or the local authorities applicable at that time. All functioning products and exchange parts must be stored and disposed of in accordance with the applicable environmental regulations.

## Environmental information for customers in the European Union



The European legislation requires that equipment marked with this symbol on the product or packaging must not be collected with unsorted household waste. This symbol indicates that the waste electrical and electronic equipment (WEEE) cannot be disposed of in the regular household waste. We highly recommend that you bring your product to an official collection point so that an expert can remove the waste electrical and electronic equipment. Inform yourself of local legislation on separate collection of waste electrical and electronic equipment. Respect the local regulations and never dispose of the product together with household waste.

## Information about waste disposal - electrical/electronic material for companies

### 1. In the European Union

If you have used the product for commercial purposes and you want to dispose of it, contact Roxell, who will give you information about the return of the product. It is possible that you will have to pay a disposal charge for the return and recycling. Small products (and small quantities) can be processed by the local collection agencies.

### 2. In other countries outside the European Union

If you want to dispose of this product, contact the local authorities for information concerning the correct disposal procedure.

## The level of noise emission

The noise level of the installation in operation does not exceed 70 dB(A).

## LOTOTO = Lock Out - Tag Out - Try Out

Before you begin: Everyone needs his own lock and tag (label), which can't be removed by other persons. Inform all the persons who are influenced by the procedure.

### 1 To block

- Localize all sources of energy (electric, hydraulic, pneumatic).
- Switch off.
- Take the relevant installation or process out of operation and lock it against reuse. You can do this by placing a padlock or other blocking mechanism (Lock Out).

### 2 To mark

Attach a sign, label or sticker to the padlock or blocking mechanism to reveal the nature and the expected duration of the work to other persons (Tag Out).

### 3 To check

- Check if the source of energy is switched off.
- Remove any remaining energy.
- Check that the installation or process is actually safe (Try Out).

## Use personal protective equipment

Ensure you wear personal protective equipment (gloves, dust masks...).

## Illuminance - sufficient lighting

- **A minimum illuminance of 200 lux is necessary** during usage, maintenance and installation.
- Provide at the installation **(portable) emergency lighting in case of power failure.**

## Electrical equipment, control panels, components and drive units








- To operate control panels, there must be **at least 70 cm of free space.**
- Control panels must **always remain closed.** The key of the control panel must be in possession of an authorized person. Only an electrically trained person (see above) shall carry out maintenance activities inside the control panels.
- The necessary measures must be taken by the user to keep out **rats, mice and other vermin from the control panels.**
- If electrical equipment, control panels, components and drive units are damaged, the system must be stopped **immediately!**
- Electrical equipment, control panels, components and drive units should **never be sprayed with water or other liquid!**
- Electrical equipment, control panels, components and drive units should **never be covered with any material.**

## Information about the residual risks - used safety signs

There are three levels of danger, which you can recognize from the following signal words:

- **DANGER**
- **WARNING**
- **CAUTION**

The nature and source of the imminent danger and possible consequences of not obeying warnings is stated here!

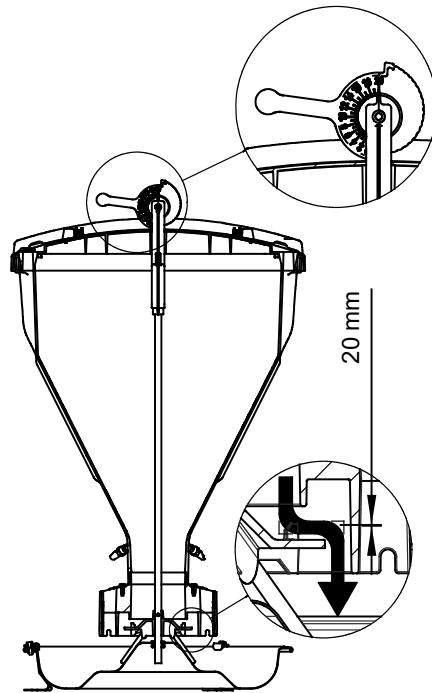
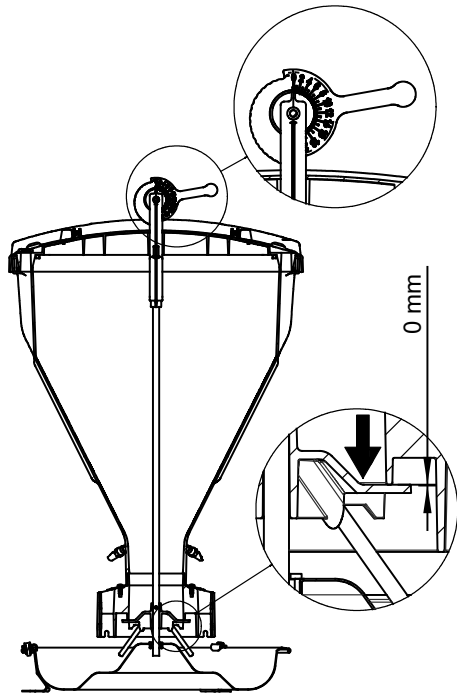
Symbol	Meaning
	<b>DANGER</b> indicates a direct imminent danger that can result in a serious or even fatal accident if the safety measures are not respected.
	<b>WARNING</b> indicates a possible imminent danger that can result in a serious accident or damage to the product if the safety measures are not respected.
	<b>CAUTION</b> indicates possible, dangerous situations that can result in minor physical injury or material damage if the safety measures are not respected.
	This symbol refers to supporting information.
	Allowed
	Not allowed
	This symbol will be used to draw your attention to matters that are of great importance for your safety. <b>It means: warning - follow the safety instructions. Disconnect the current and read the safety rules. In short: be alert. Ignoring these instructions can cause serious injuries or even death.</b>



**1. Position of the handle/rotor opening**

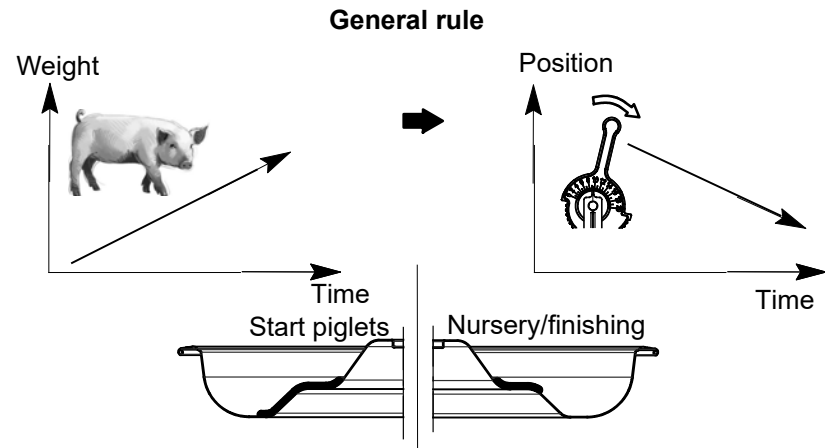
**Position 0:**  
no feed / closed

**Position 20:**  
maximum feed / cleaning

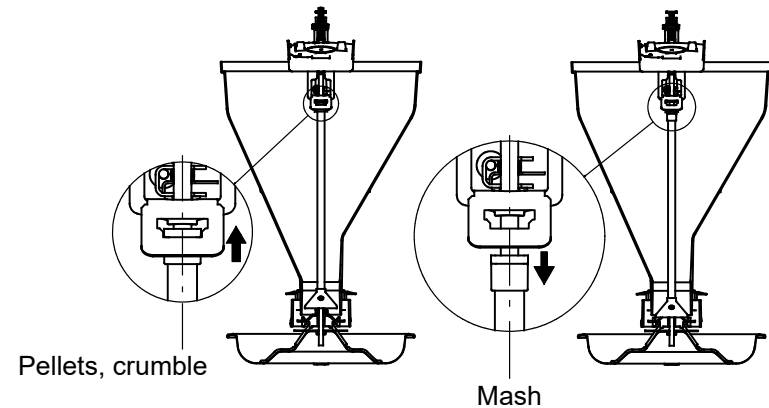


**2.1. To set the amount of feed**

**Tip: mash:**  
Less flowing feed = position more than 12  
Easy flowing feed (i.e crumble) = position lower than 10  
Pellets: Ø pellet + 2 positions  
Nursery: Start position 12



**2.2. To use pressure reducer for pellets**



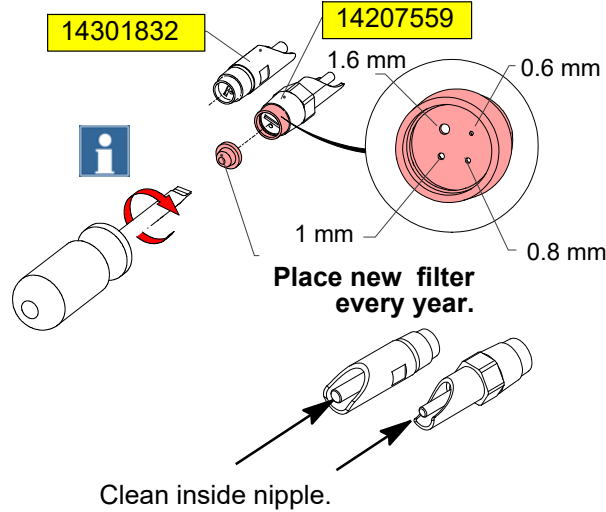


### 3. Water supply

	5 - 30 kg: 500 - 700 ml/min			
	20 - 145 kg: 800 - 1100 ml/min			
	Pressure water inlet (bar)			
Ø Inlet (mm)	0.3	1	2	3
0.6	190	340	420	470
(*) 0.8	250	500	700	810
(**) 1.0	400	700	950	1100
1.6	800	1400	1900	2200
Water flow: ml/min				
(*) factory setting: nipple nursery				14207559
(**) factory setting: nipple finishing				14301832

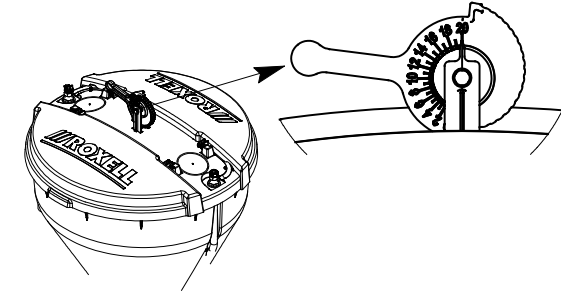
### HOUSE CHART

#### 4. Cleaning

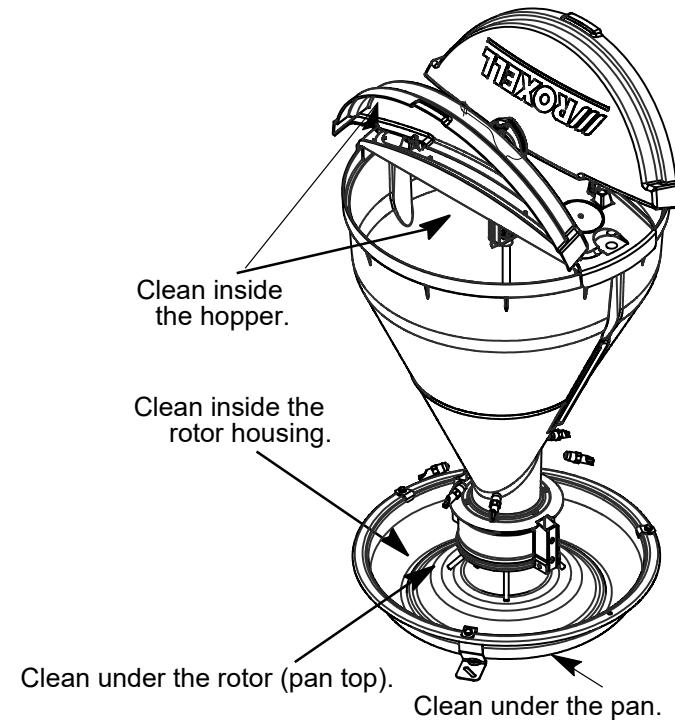


**Tip: moisten before cleaning (soak)**

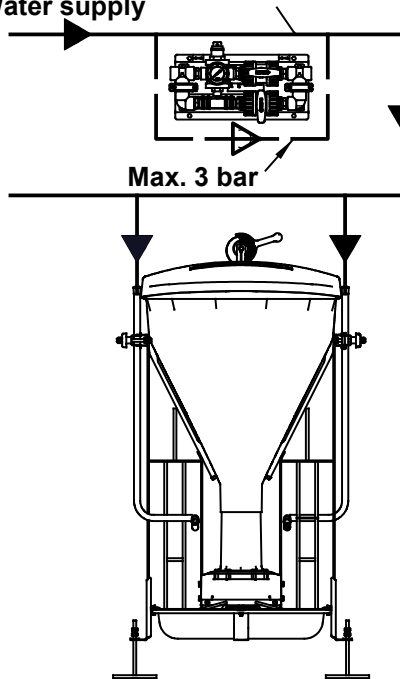
Cleaning position 20:



**Pay extra attention:**



#### Water supply

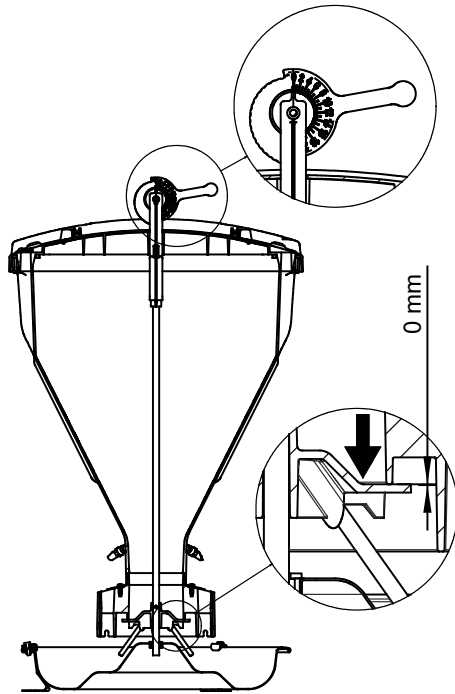


### Blu'Hox™ W2F

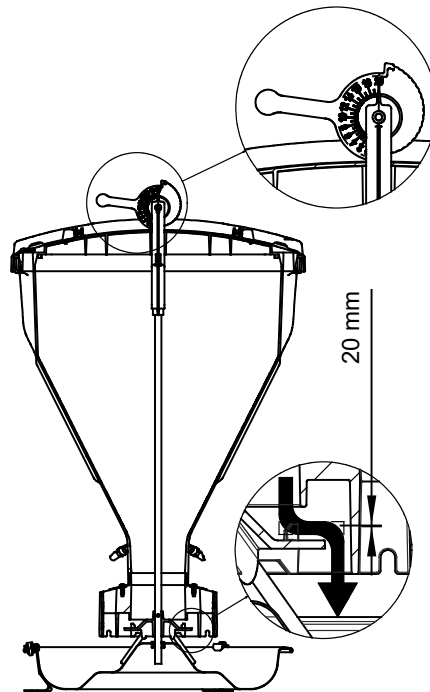
	5 - 30 kg: 500 - 700 l/min			
	20 - 145 kg: 800 - 1100 ml/min			
	Pressure water inlet (bar)			
Ø Inlet (mm)	0.3	1	2	3
0.6	190	340	420	470
0.8	250	500	700	810
(**) 1.0	400	700	950	1100
1.6	800	1400	1900	2200
Water flow: ml/min				
(**) factory setting: nipple finishing				14301832

**1. Position of the handle/rotor opening**

**Position 0:**  
no feed / closed



**Position 20:**  
maximum feed / cleaning



**2.1. To set the amount of feed**

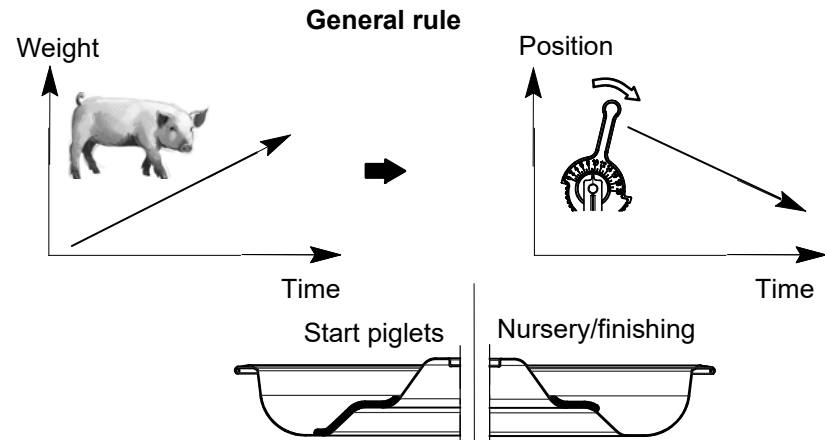
**Tip: mash:**

Less flowing feed = position more than 12

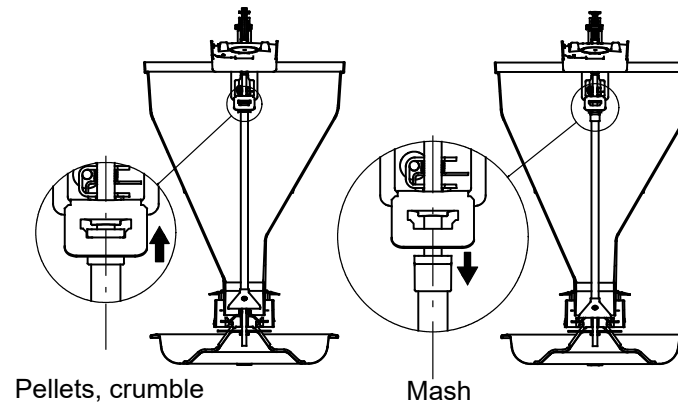
Easy flowing feed (i.e crumble) = position lower than 10

Pellets: Ø pellet + 2 positions

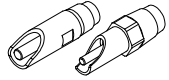
Nursery: Start position 12



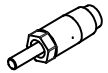
**2.2. To use pressure reducer for pellets**



## 3. Water supply



	5 - 30 kg: 500 - 700 ml/min			
	20 - 145 kg: 800 - 1100 ml/min			
	Pressure water inlet (bar)			
Ø Inlet (mm)	0.3	1	2	3
0.6	190	340	420	470
(*) 0.8	250	500	700	810
(**) 1.0	400	700	950	1100
1.6	800	1400	1900	2200
Water flow: ml/min				
(*) factory setting: nipple nursery				14207559
(**) factory setting: nipple finishing				14301832

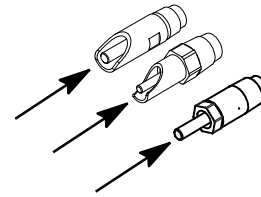
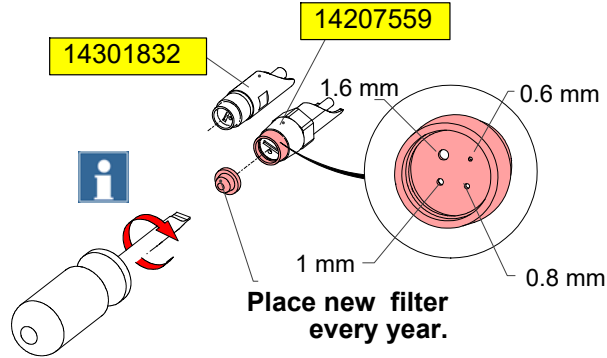


## DRY/WET

	5 - 30 kg: 500 - 700ml/min			
	20 - 145 kg: 800 - 1100 ml/min			
	Pressure water inlet (bar)			
Ø Inlet (mm)	0.3	1	2	3
0.6	320	400	600	800
(*) 0.8	500	660	900	1200
1.0	700	780	1140	1600
1.6	1120	1640	2600	3000
Water flow: ml/min				
(*) factory setting				14207956

## HOUSE CHART

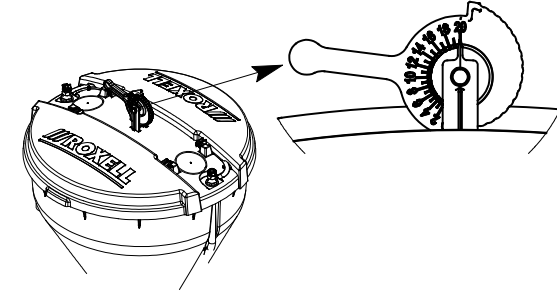
## 4. Cleaning



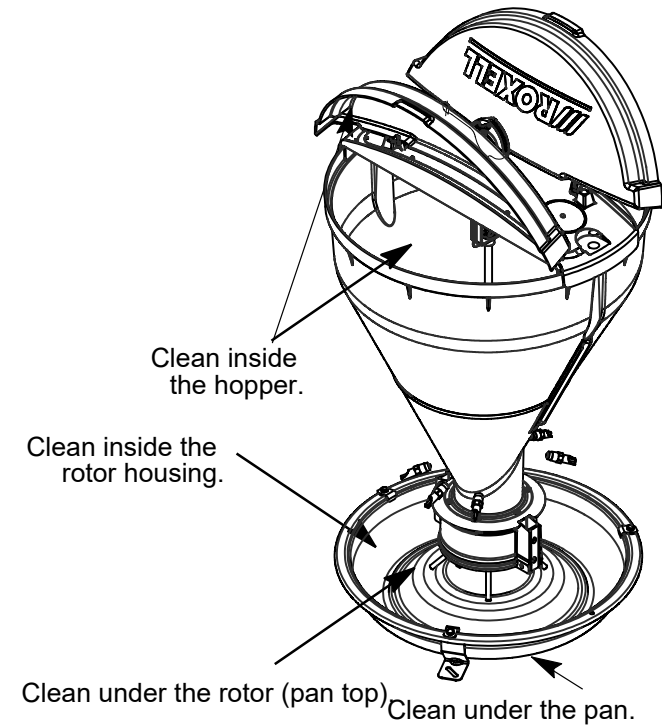
Clean inside nipple.

Tip: moisten before cleaning (soak)

Cleaning position 20:



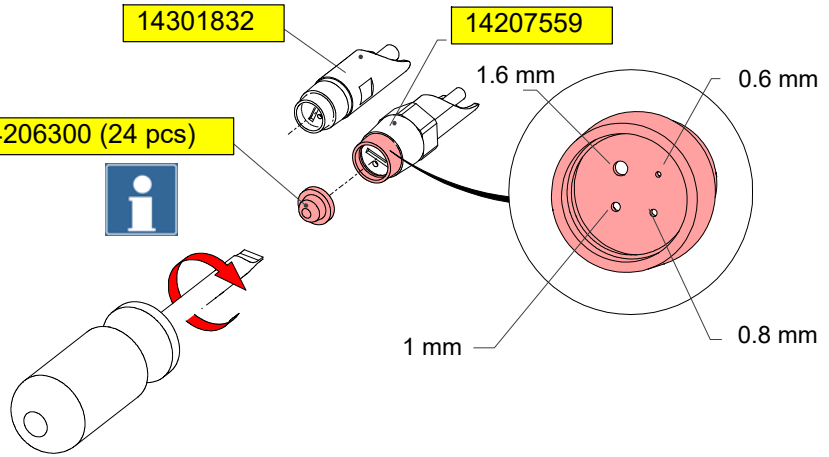
Pay extra attention:



## Maintenance

Place new filter every year.

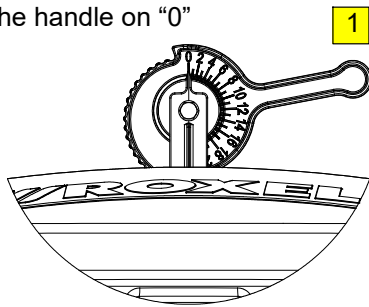
04206300 (24 pcs)



## Rotor adjustment

**1**

Position the handle on "0"



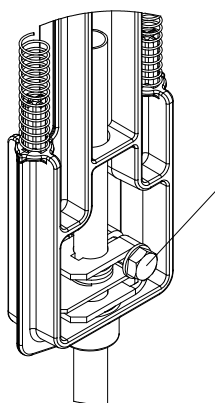
**Caution**

**2**

Loosen the clamp:  
loosen the bolt and nut.

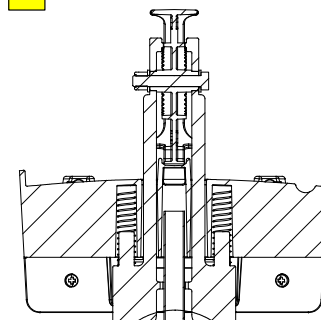
**5**

Secure the clamp:  
tighten bolt and nut.



**3**

Close the rotor disc manually:



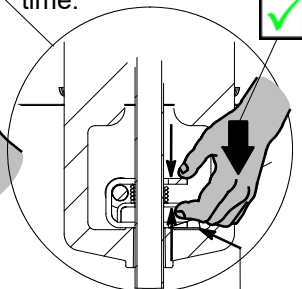
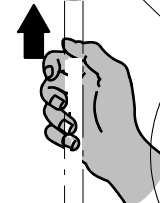
**2**

Pull and hold the  
adjustment  
tube upwards,  
and...

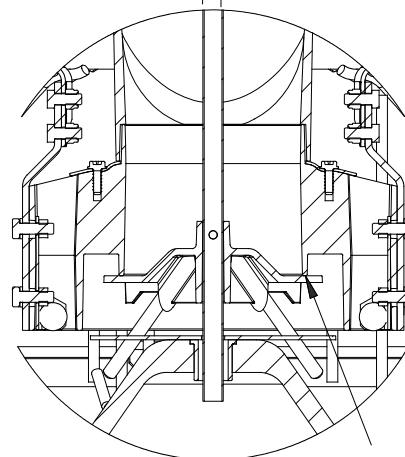
**4**

**4**

...push at the same  
time.



No clear-  
ance.





Closed rotor disc.

## Trouble shooting guide



**Danger**

**Switch off the main switch first.  
Use personal protective equipment.**

Actions in grey background must be done by a technically trained person..		
PROBLEM	CAUSE	CORRECTIVE ACTION
Blu'Hox does not shut off in position 0.	- Rotor adjustment not correct.	- Re-adjust rotor. See "ROTOR ADJUSTMENT".
Feed level in pan is too high.	- Blu'Hox feed adjusted too high.	- Decrease opening. See operator's guide: "TO SET THE AMOUNT OF FEED". 
No feed or not enough feed in pan.	- Blu'Hox feed adjusted too low.	- Increase opening. See operator's guide: "TO SET THE AMOUNT OF FEED". 
No feed in case of pressure reducer.	- Malfunction pressure reducer.	- Pressure reducer must be unlocked for mash (down). - Pressure reducer must be locked for pellets/crumble (up). - Rotate manually rotor to break feed bridge.
Leaking nipples.	- Trash in the nipple. - Joint worn out.	- Clean the nipple. - Replace sealing material.
No water at nipples.	- Filter in pan inlet choked. - Water control panel does not work. - Air in pipes. - Opening flow control in nipple disc choked. - Filter in nipple choked.	- Clean the filter. - Clean the filter cartridge. Check hand cock. - Aerate well. - Clean disc in nipple housing. - Unmount nipple and clean filter.
Too low capacity at nipples.	- Insufficient water pressure.	- Provide sufficient water pressure.
	- Nipple not correctly adjusted. - Main water supply choked. - Opening flow control in nipple disc choked. - Filter in nipple choked.	- Adjust nipple at a larger opening. - Clean main water supply pipes. - Clean disc in nipple housing. - Unmount nipple and clean filter.
Too large capacity at nipples.	- Pressure not adjusted. - Nipple not correctly adjusted.	- Adjust water pressure. - Adjust nipple at a smaller opening.
Too much water in the pan.	- See operator's guide: "WATER SUPPLY".	- See operator's guide: "WATER SUPPLY".
Blu'Hox feed adjustment cannot be opened widely.'	- Feed under feed disc.	- Clean under the feed disc! See operator's guide: "CLEANING".



ROXELL BV - Industrielaan 13, 9990 Maldegem (Belgium)  
Tel. +32 50 72 91 72 - [info@roxell.com](mailto:info@roxell.com) - [www.roxell.com](http://www.roxell.com)

ROXELL USA Inc. - 720 Industrial Park Road, Anderson MO 64831 (USA)  
Tel. +1 417 845 6065 - [info.usa@roxell.com](mailto:info.usa@roxell.com) - [www.roxell.com](http://www.roxell.com)

ROXELL Malaysia - No. 49, Jalan Permata 2/KS9, Taman Perindustrian Air Hitam, 41200 Klang, Selangor (Malaysia)  
Tel. +60 3 3123 1767 - [info.malaysia@roxell.com](mailto:info.malaysia@roxell.com) - [www.roxell.com](http://www.roxell.com)

ROXELL Россия - ООО «Рокселл» ОГРН 1157746055026  
123060, Россия, город Москва, улица Маршала Рыбалко, дом 2, корпус 9, офис 909.1  
Телефон: +7 495 983 30 15 - Адрес электронной почты: [info.russia@roxell.com](mailto:info.russia@roxell.com) - [www.roxell.com](http://www.roxell.com)