

# Blu'Hox<sup>TM</sup> plus

User's Guide



**ROXELL**<sup>®</sup>

## TABLE OF CONTENTS

GENERAL INFORMATION .....	1
1. OBEY THE LEGAL REGULATIONS AND THE APPLICABLE RULES! .....	1
2. INTENDED USE .....	1
3. NOT-INTENDED USE .....	1
4. LIABILITY .....	1
5. PERSONNEL QUALIFICATIONS .....	1
6. INFORMATION ABOUT THE RESIDUAL RISKS - USED SAFETY SIGNS .....	1
7. DISMANTLING, STORAGE, TRANSPORT .....	2
8. THE LEVEL OF NOISE EMISSION .....	2
9. MAIN SWITCH .....	2
10. PROTECTION .....	2
OPERATOR'S GUIDE .....	3/4
ROTOR ADJUSTMENT .....	5
TROUBLE SHOOTING GUIDE .....	6

## GENERAL INFORMATION

### 1. OBEY THE LEGAL REGULATIONS AND THE APPLICABLE RULES!

This concerns, among other things, the European directives transposed into national legislation and/or the laws, safety and accident prevention regulations that apply in the user's country.

During assembly, operation and maintenance of the installation the legal regulations concerned and the applicable technical rules must be obeyed.

### 2. INTENDED USE

The installation has been designed solely for intensive livestock use and has been developed according to the applicable rules of good workmanship. Extra loading of the product is therefore prohibited. Any other use is considered to be improper use. The manufacturer is not responsible for damage resulting there from. The user bears sole responsibility.

### 3. NOT-INTENDED USE

All use different than described in point 2" intended use" is at the responsibility of the end user.

### 4. LIABILITY

Any claim under guarantee is void for damage that has resulted from improper use and unauthorised actions not provided for in the instructions for use. ROXELL NV cannot be held responsible for this damage.

This declaration relates exclusively to the machinery in the state in which it was placed on the market, and excludes components which are added and/or operations carried out subsequently by the final user.

The liability of Roxell ends in case the end user changes or adapts the installation himself.

### 5. PERSONNEL QUALIFICATIONS

#### USER:

The person who uses a function or operation of a product for their work or who works on the product. The user must be able to read the instructions for use and fully understand them. The user has knowledge of the functioning and construction of the installation.

#### TECHNICALLY TRAINED PERSON:

An expert who can assemble and maintain the installation (**mechanically/electrically**), and resolve malfunctions. On the basis of his/her technical training and experience, he/she has sufficient knowledge to be able to assess activities, recognise possible dangers and rectify dangerous situations.

### 6. INFORMATION ABOUT THE RESIDUAL RISKS - USED SAFETY SIGNS





There are three levels of danger, which you can recognize from the signal word

\* **DANGER**

\* **WARNING**

\* **CAUTION**

The nature and source of the imminent danger and possible consequences of not obeying warnings is stated here!

 <p><b>DANGER</b></p>	<p><b>DANGER</b> indicates a direct imminent danger that can result in a serious or even fatal accident if the safety measures are not respected.</p>
 <p><b>WARNING</b></p>	<p><b>WARNING</b> indicates a possible imminent danger that can result in a serious accident or damage to the product if the safety measures are not respected.</p>
 <p><b>CAUTION</b></p>	<p><b>CAUTION</b> indicates possible, dangerous situations that can result in minor physical injury or material damage if the safety measures are not respected.</p>
	<p>This symbol refers to supporting information.</p>

## GENERAL INFORMATION

### 7. DISMANTLING, STORAGE, TRANSPORT

Dismantle the installation and its components in accordance with the environmental legislation of the country or the local authorities applicable at that time. All functioning products and exchange parts must be stored and disposed of in accordance with the applicable environmental regulations.

#### Environmental information for customers in the European Union



European directive 2002/96/EC amended by the Directive 2008/34/EC requires that equipment that bears this symbol on the product or packaging must not be disposed of with unsorted household waste. This symbol indicates that the product must be disposed of separately. You are yourself responsible for the destruction of this and other electrical and electronic equipment via the disposal channels designated for that purpose by the national or local government. The correct destruction and recycling of this equipment prevents any negative consequences for the environment and health. For more information about destroying your old equipment, contact your local authorities or waste disposal service.

#### Information about waste disposal - electrical/electronic material for companies

##### 1. In the European Union

If you have used the product for commercial purposes and you want to dispose of it, contact Roxell N.V. who will give you information about the return of the product. It is possible that you will have to pay a disposal charge for the return and recycling. Small products (and small quantities) can be processed by the local collection agencies.

##### 2. In other countries outside the European Union

If you want to dispose of this product, contact the local authorities for information concerning the correct disposal procedure.

### 8. THE LEVEL OF NOISE EMISSION

The noise level of the installation in operation does not exceed 70dB.

### 9. MAIN SWITCH

Before you do any repair, or maintenance works, always disconnect the electricity supply **by switching off the main switch.**

### 10. PROTECTION

Ensure you wear personal protection equipment (gloves, dust masks...).

**THESE INSTRUCTIONS MUST BE READ, UNDERSTOOD AND ALL POINTS OBSERVED BY THE USER, THE RESPONSIBLE AND OPERATING PERSONNEL.**

**DISCLAIMER :** The original, authoritative version of this manual is the Dutch version produced by Roxell NV. Subsequent changes to any manual made by any third party have not been reviewed nor authenticated by Roxell. Such changes may include, but are not limited to, translation into languages other than Dutch, and additions to or deletions from the original content. Roxell disclaims responsibility for any and all damages, injuries, warranty claims and/or any other claims associated with such changes, inasmuch as such changes result in content that is different from the authoritative Roxell-published Dutch version of the manual. For current product installation and operation information, please contact the customer service and/or technical service departments of Roxell. Should you observe any questionable content in any manual, please notify Roxell immediately in writing to: Roxell NV - Industrielaan 13, 9990 Maldegem - Belgium.

## 1. POSITION OF THE HANDLE/ROTOR OPENING

POSITION 0 (NO FEED / CLOSED)

POSITION 20 (MAXIMUM FEED / CLEANING)

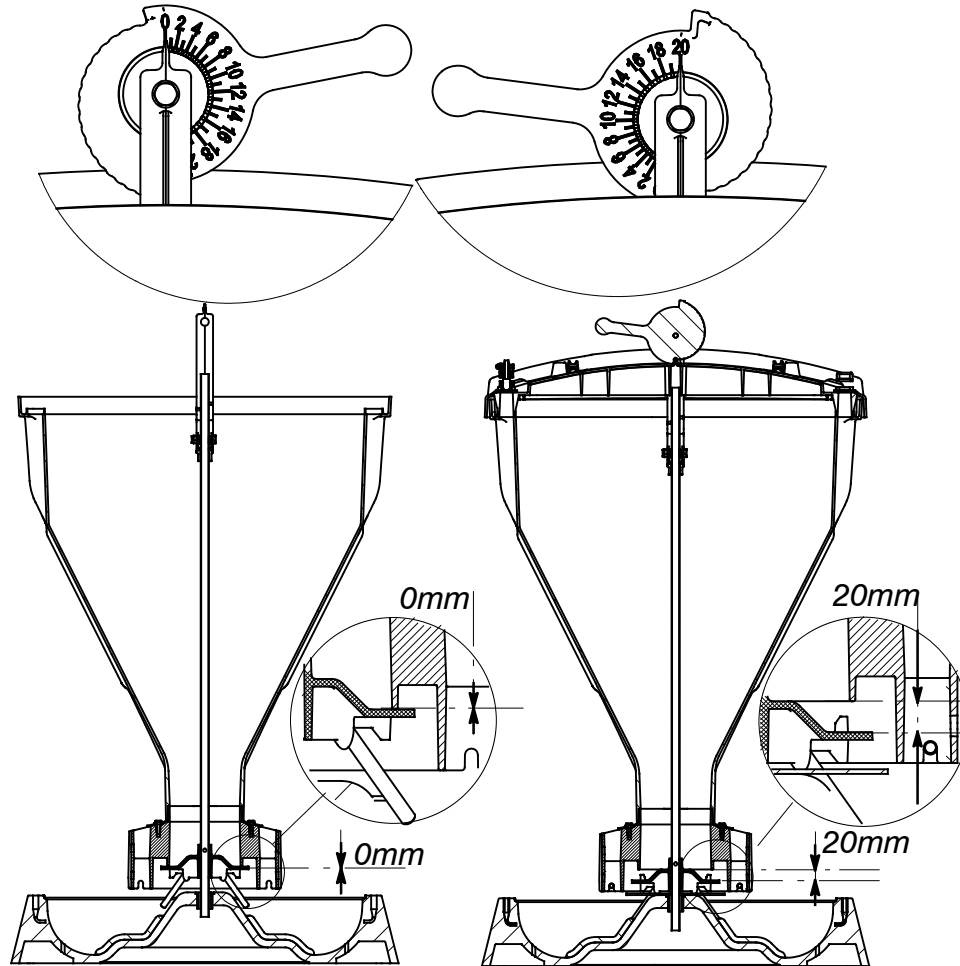


Figure 1.

Figure 2.

TO ADJUST THE ROTOR : SEE PAGE 5

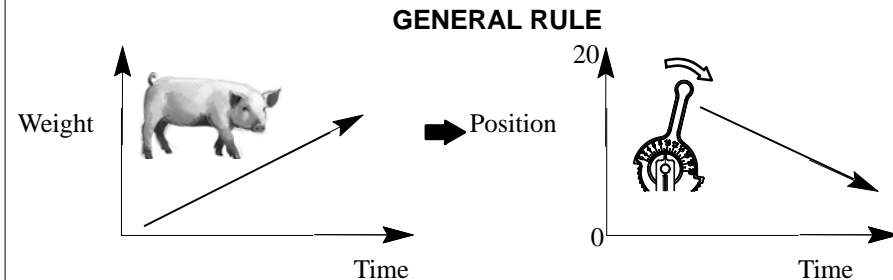
## 2. TO SET THE AMOUNT OF FEED

TIP : MEAL :

- LESS FLOWING FEED = POSITION MORE THAN 12
- EASY FLOWING FEED (I.E CRUMBLES) = POSITION LOWER THAN 10

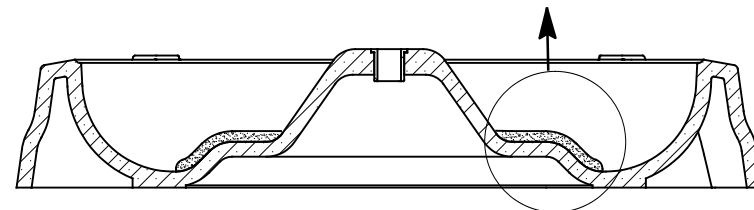
PELLETS : Ø PELLETT + 2 POSITIONS

NURSERY : START POSITION 12



GENERAL RULE

START PIGLETS OPTIMUM



NURSERY / FINISHING

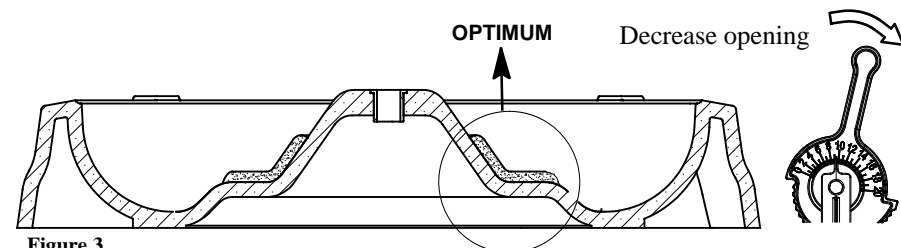


Figure 3.

**3. WATER SUPPLY**

**NIPPLE NURSERY**

**RECOMMENDED**

5 kg--> 30 kg : ± 400-500ml/min

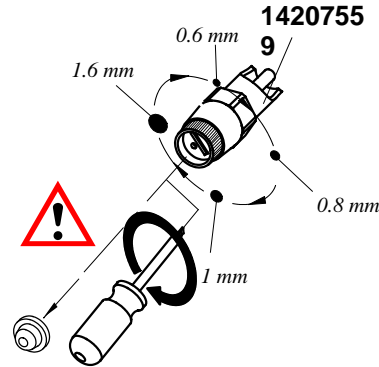


Figure 5.

PRESSURE WATER INLET					
∅	0.3 bar	1 bar	2 bar	3bar	
• 0.6mm	190	340	420	470	
• 0.8mm	250	500	700	810	
• 1mm	400	700	950	1100	
• 1.6mm	800	1400	1900	2200	
Water flow in ml/min					

\* Factory setting

**NIPPLE FINISHING**

**RECOMMENDED**

20 kg--> 120 kg : ± 700-1000ml/min

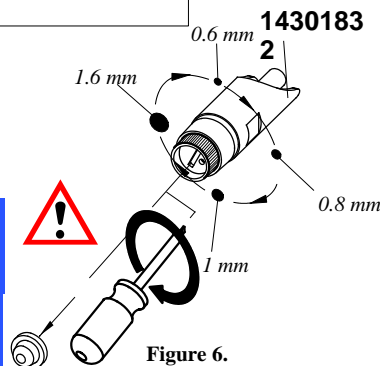
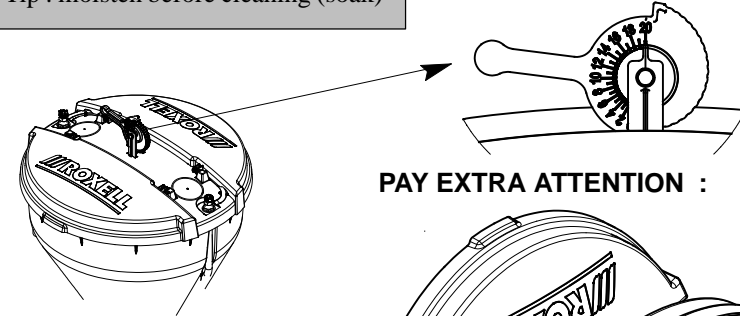


Figure 6.

**4. CLEANING**

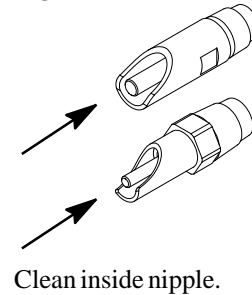
Tip : moisten before cleaning (soak)

**CLEANING POSITION 20**



**PAY EXTRA ATTENTION :**

Figure 7.



Clean inside nipple.

Clean inside the rotor housing.

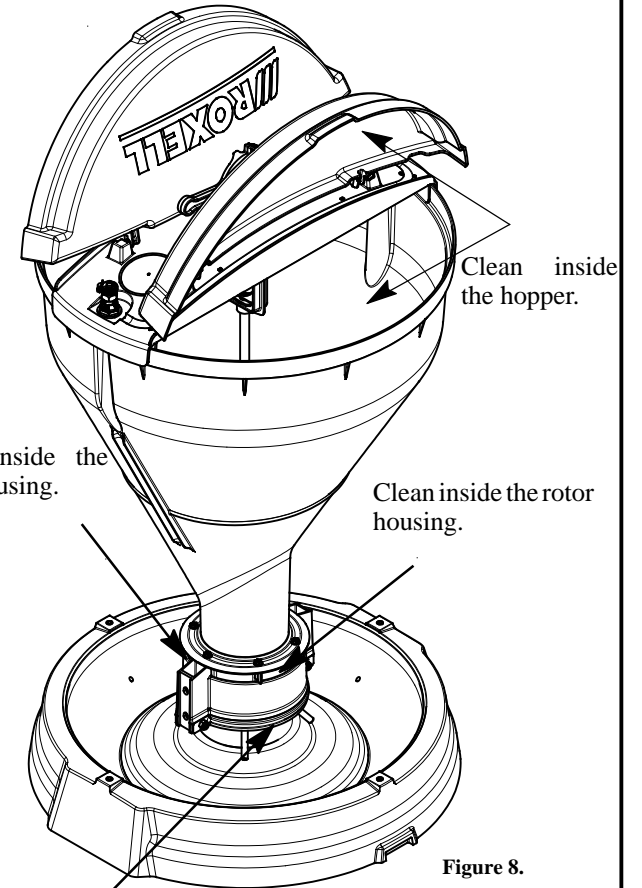


Figure 8.

Clean under the rotor (pantop)

## ROTOR ADJUSTMENT

1. Position the handle on "0"

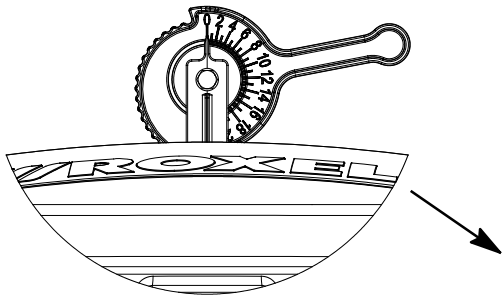
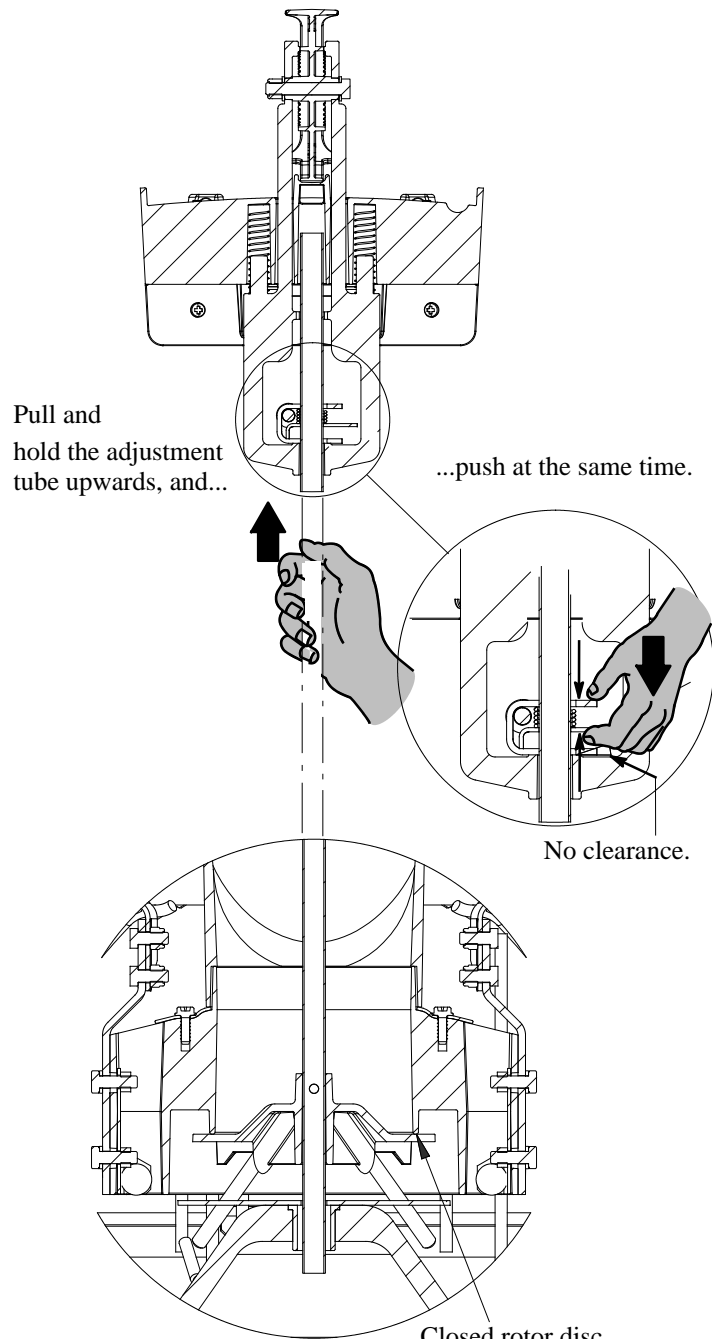


Figure 1.

2. Close the rotor disc manually :



Pull and hold the adjustment tube upwards, and...

...push at the same time.

No clearance.

Closed rotor disc.

Figure 2.

3. **Secure the clamp : tighten bolt and nut.**

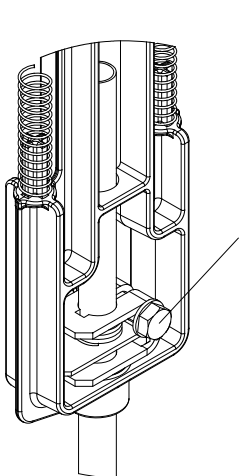


Figure 3.



## TROUBLE SHOOTING GUIDE



**DANGER**

**Switch off the current first. Use protection**

**ACTIONS IN GREY BACKGROUND MUST BE DONE BY A TECHNICALLY TRAINED PERSON.**

PROBLEM	CAUSE	CORRECTIVE ACTION
1. Blu'Hox does not shut off in position 0.	- Rotor adjustment not correct.	- Re-adjust rotor . See page 5
2. Feed level in pan is too high.	- Blu'Hox feed adjusted too high.	- Decrease opening. See operator's guide point 2 : "TO SET THE AMOUNT OF FEED". 
3. No feed or not enough feed in pan.	- Blu'Hox feed adjusted too low.	- Increase opening. See operator's guide point 2: "TO SET THE AMOUNT OF FEED". 
4. Leaking nipples.	- Trash in the nipple. - Joint worn out.	- Clean the nipple. - Replace sealing material.
5. No water at nipples.	- Filter in pan inlet choked. - Water control panel does not work. - Air in pipes. - Opening flow control in nipple disc choked. - Filter in nipple choked.	- Clean the filter. - Clean the filter cartridge. Check hand cock. - Aerate well. - Clean disc in nipple housing.  - Unmount nipple and clean filter.
6. Too low capacity at nipples.	- Insufficient water pressure. - Nipple not correctly adjusted. - Main water supply choked. - Opening flow control in nipple disc choked. - Filter in nipple choked.	- Provide sufficient water pressure.  - Adjust nipple at a larger opening. - Clean main water supply pipes. - Clean disc in nipple housing.  - Unmount nipple and clean filter.
7. Too large capacity at nipples.	- Pressure not adjusted. - Nipple not correctly adjusted.	- Adjust water pressure. - Adjust nipple at a smaller opening.
8. Too much water in the pan.	- See operator's guide point 3. : "WATER SUPPLY".	- See operator's guide point 3. <b>NO TAG</b> : "WATER SUPPLY".
9. Blu'Hox feed adjustment cannot be opened widely.	- Feed under feed disc.	- Clean under the feed disc ! See operator's guide point 4. : "CLEANING".









ROXELL NV Belgium, Industrielaan 13, 9990 Maldegem, Belgium  
Tel: +32 50 72 91 72 - fax: +32 50 71 67 21 - E-mail: roxell@roxell.com - www.roxell.com

ROXELL - Millenium House, 5th Floor, Ul. Trubnaya 12, 107045 Moscow, Russian Federation  
Tel. +7 495 795 06 57 - Fax +7 495 795 06 32 - E-mail: info.russia@roxell.com\_ - www.roxell.ru

ROXELL Malaysia, No. 12 Jalan Anggerik Mokara31/48, Kota Kemuning Industrial Park,  
40460 Shah Alam, Selangor, Malaysia  
Tel: +603-5121 7150 - Fax: +603-5121 7146 - Email: info@roxell.com.my - www.roxell.com.my